

Sensor-switched LED outdoor light

My L 820 SC

Anthracite

EAN 4007841 081720

Article number 081720



Up-/Downlight

LED

30 Jahre (Ø 4,5 Std / Tag)

3000 K

3000K warmweiß



Intelligenter Hochfrequenz-Sensor 160°



1 - 5 m



IP44



2 - 2000 Lux



10 Sek - 60 Min



Softlichtstart



10-100%

10 - 100% Grundlicht

Function description

Individual house number lighting. The High Line house number version with raised house number in the trend colour anthracite. Your luminaire is already delivered to your home with your desired house number. In addition to the numbers, the letters a-i are available for configuration. LED house number light with motion detector and effective downward and upward illumination, 160° detection / 1-5 m range / 9.8 W / 679 lm / 3000 K (warm white light), basic light 10-50 %, main light 50-100 %, soft light start, 4 hrs. continuous light, Bluetooth: easy networking and setting conveniently via app, see all the advantages of our Bluetooth lights at the very bottom, mounting material included, delivery in plastic-free packaging. **Note:** This product is only sold in the German STEINEL Online Shop.

Technical specifications

Dimensions (L x W x H)	146 x 230 x 261 mm	Transmitter range	30 m
With lamp	Yes, STEINEL LED system	Transmitter power	< 1 mW
Manufacturer's Warranty	3 years	Luminous flux total product	679 lm
Settings via	Connect Bluetooth Mesh, App	Measured luminous flux (360°)	679 lm
With remote control	No	Total product efficiency	69 lm/W
Version	Anthracite	Colour temperature	3000 K
PU1, EAN	4007841081720	Colour variation LED	SDCM3
Application, place	Outdoors	Lamp	LED cannot be replaced
Application, room	front door	Service life LED L70B50 (25°)	> 60000 h
Colour	Anthracite	Drop in luminous flux in accordance with LM80	L70B10
includes sheet of self-adhesive numbers	No	Base	without
Installation site	wall	LED cooling system	Active and Passive Thermo Control
Impact resistance	IK03	Soft light start	Yes
IP-rating	IP44	Continuous light	selectable

<https://www.steinell.de>

Subject to technical modifications

04.2024 Page 1 from 3

Sensor-switched LED outdoor light

My L 820 SC

Anthracite

EAN 4007841 081720

Article number 081720



Technical specifications

Protection class	II
Ambient temperature	-20 – 40 °C
Housing material	Aluminium
Cover material	Plastic, opal
Mains power supply	220 – 240 V / 50 – 60 Hz
Output	9,8 W
Mounting height max.	2,50 m
Slave modeselectable	Yes
Sneak-by guard	No
Capability of masking out individual segments	No
Electronic scalability	Yes
Mechanical scalability	No
Reach, detail	Detection zone adjustable on 2 axes
Reach, radial	r = 5 m (35 m ²)
Reach, tangential	r = 5 m (35 m ²)
Photo-cell controller	Yes

Functions	Motions sensor
Twilight setting	2 – 2000 lx
Time setting	5 s – 60 Min.
Basic light level function	Yes
Basic light level function time	OFF, Brightness-controlled, 10 sec – 60 min
Main light adjustable	0 - 100 %
Interconnection	Yes
Type of interconnection	Master/master, Master/slave
Basic light level function in per cent	10 – 100 %
Basic light level function percentage, from	10 %
Basic light level function percentage, up to	100 %
Interconnection via	Bluetooth Mesh Connect
Colour Rendering Index CRI	= 82
Optimum mounting height	2 m
Detection angle	160 °

Sensor-switched LED outdoor light

My L 820 SC

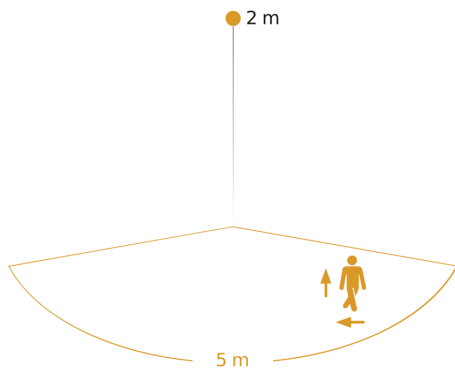
Anthracite

EAN 4007841 081720

Article number 081720

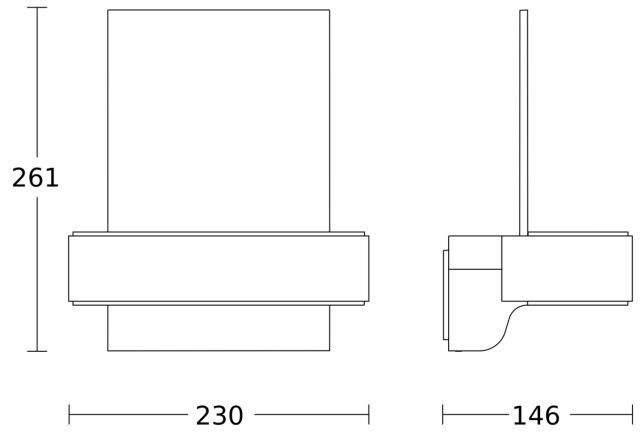


Detection Zone



Possible mounting height: 1,80 m - 2,50 m
Orange: radial and tangential

Dimension Drawing



Circuit diagram Bluetooth

